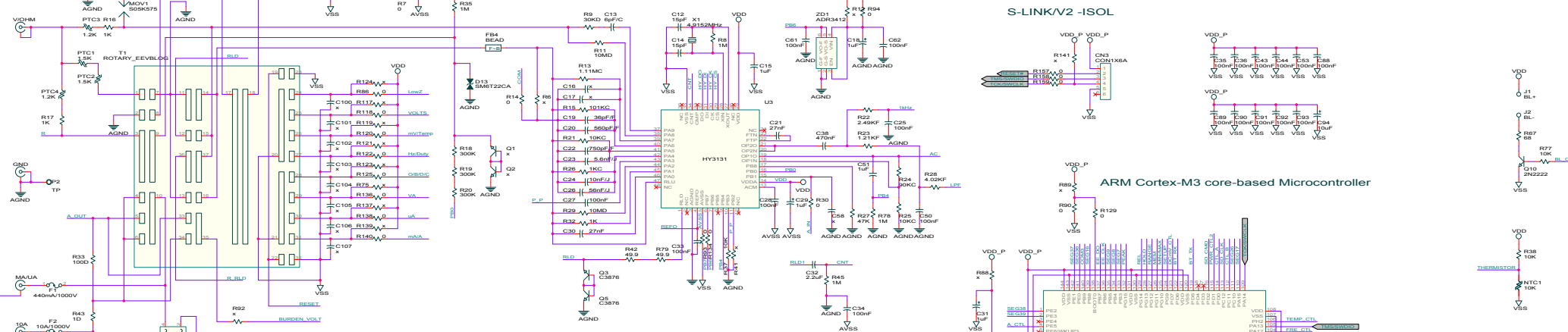
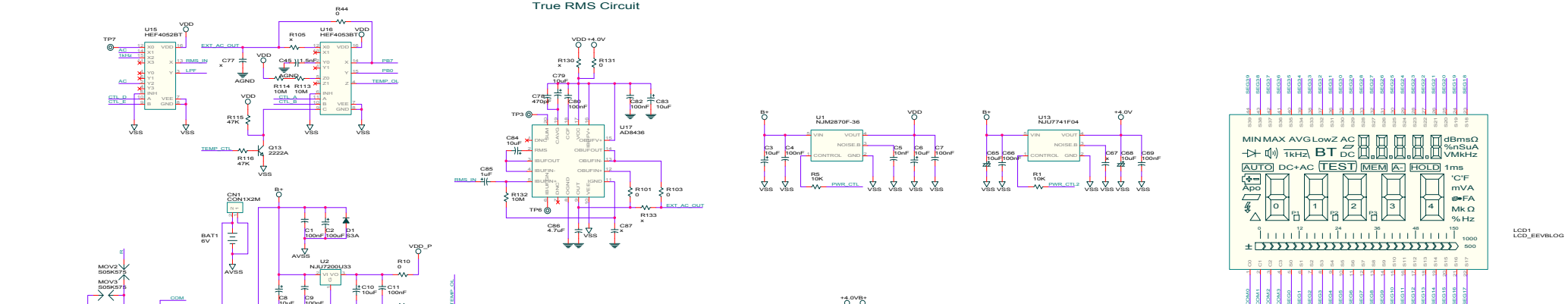
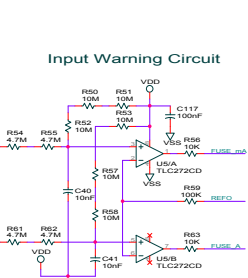


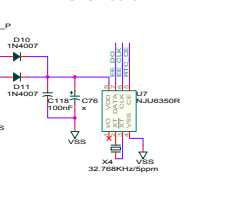
True RMS Circuit



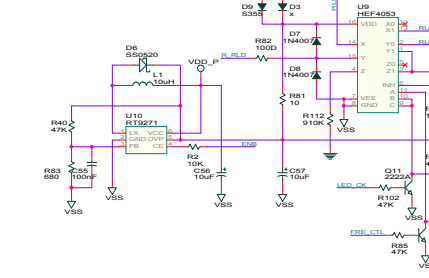
Input Warning Circuit



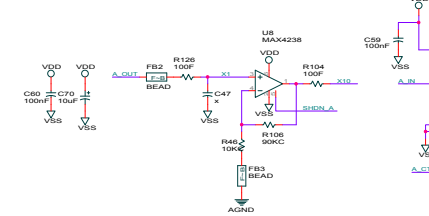
RTC Circuit



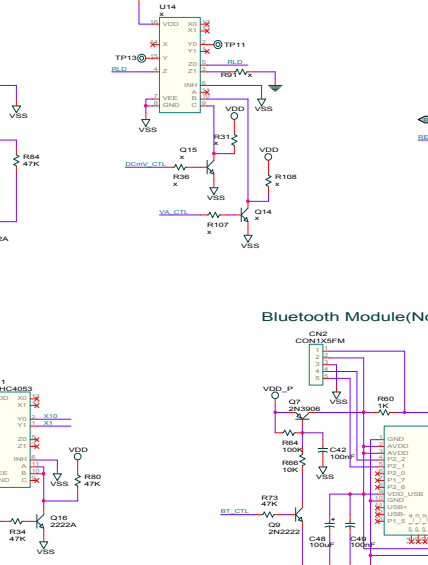
15V Diode Circuit



Burden Voltage Circuit



Bluetooth Module(Not used)



REF	Value	Footprint	Notes
R1	10K	0603	
R2	10K	0603	
R3	10K	0603	
R4	10K	0603	
R5	10K	0603	
R6	10K	0603	
R7	10K	0603	
R8	10K	0603	
R9	10K	0603	
R10	10K	0603	
R11	10K	0603	
R12	10K	0603	
R13	10K	0603	
R14	10K	0603	
R15	10K	0603	
R16	10K	0603	
R17	10K	0603	
R18	10K	0603	
R19	10K	0603	
R20	10K	0603	
R21	10K	0603	
R22	10K	0603	
R23	10K	0603	
R24	10K	0603	
R25	10K	0603	
R26	10K	0603	
R27	10K	0603	
R28	10K	0603	
R29	10K	0603	
R30	10K	0603	
R31	10K	0603	
R32	10K	0603	
R33	10K	0603	
R34	10K	0603	
R35	10K	0603	
R36	10K	0603	
R37	10K	0603	
R38	10K	0603	
R39	10K	0603	
R40	10K	0603	
R41	10K	0603	
R42	10K	0603	
R43	10K	0603	
R44	10K	0603	
R45	10K	0603	
R46	10K	0603	
R47	10K	0603	
R48	10K	0603	
R49	10K	0603	
R50	10K	0603	
R51	10K	0603	
R52	10K	0603	
R53	10K	0603	
R54	10K	0603	
R55	10K	0603	
R56	10K	0603	
R57	10K	0603	
R58	10K	0603	
R59	10K	0603	
R60	10K	0603	
R61	10K	0603	
R62	10K	0603	
R63	10K	0603	
R64	10K	0603	
R65	10K	0603	
R66	10K	0603	
R67	10K	0603	
R68	10K	0603	
R69	10K	0603	
R70	10K	0603	
R71	10K	0603	
R72	10K	0603	
R73	10K	0603	
R74	10K	0603	
R75	10K	0603	
R76	10K	0603	
R77	10K	0603	
R78	10K	0603	
R79	10K	0603	
R80	10K	0603	
R81	10K	0603	
R82	10K	0603	
R83	10K	0603	
R84	10K	0603	
R85	10K	0603	
R86	10K	0603	
R87	10K	0603	
R88	10K	0603	
R89	10K	0603	
R90	10K	0603	
R91	10K	0603	
R92	10K	0603	
R93	10K	0603	
R94	10K	0603	
R95	10K	0603	
R96	10K	0603	
R97	10K	0603	
R98	10K	0603	
R99	10K	0603	
R100	10K	0603	
R101	10K	0603	
R102	10K	0603	
R103	10K	0603	
R104	10K	0603	
R105	10K	0603	
R106	10K	0603	
R107	10K	0603	
R108	10K	0603	
R109	10K	0603	
R110	10K	0603	
R111	10K	0603	
R112	10K	0603	
R113	10K	0603	
R114	10K	0603	
R115	10K	0603	
R116	10K	0603	
R117	10K	0603	
R118	10K	0603	
R119	10K	0603	
R120	10K	0603	
R121	10K	0603	
R122	10K	0603	
R123	10K	0603	
R124	10K	0603	
R125	10K	0603	
R126	10K	0603	
R127	10K	0603	
R128	10K	0603	
R129	10K	0603	
R130	10K	0603	