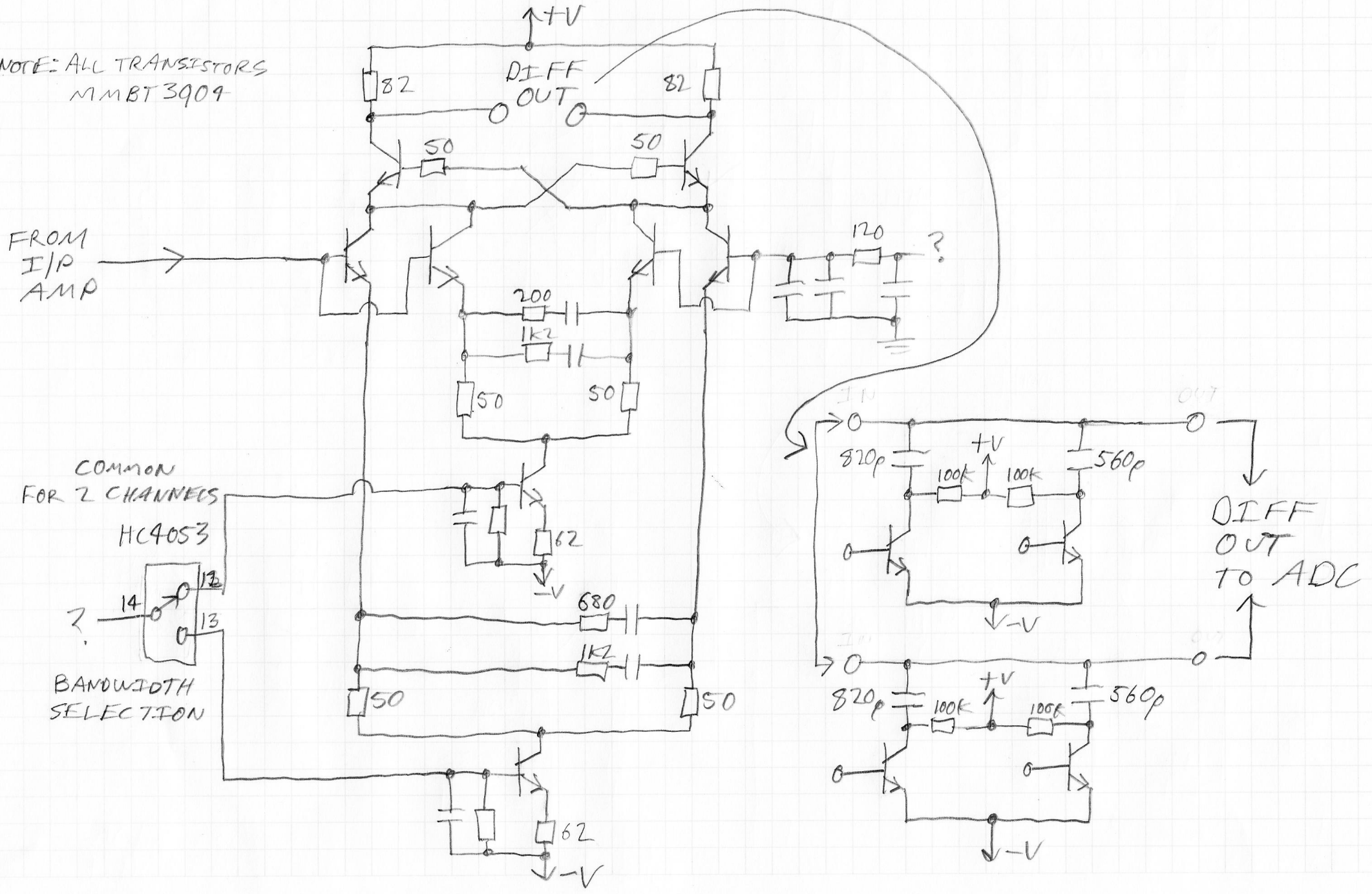


RIGOL DS1054 Z DIFF DRIVER

WWW.EEVBLOG.COM
BY DAVE JONES

☺ Dave CAD

NOTE: ALL TRANSISTORS
MMBT3904



COMMON
FOR 2 CHANNELS

HC4053

BANDWIDTH
SELECTION

DIFF
OUT
TO ADC